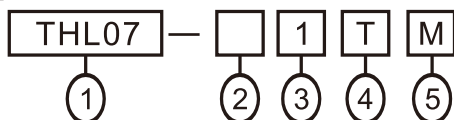


FEATURES

- Flexible Conduit
- Tempered Glass
- Osram Halogen lamp 12V 20W
- 5 Kinds of the
- 1200 Lux at 50 cm distance

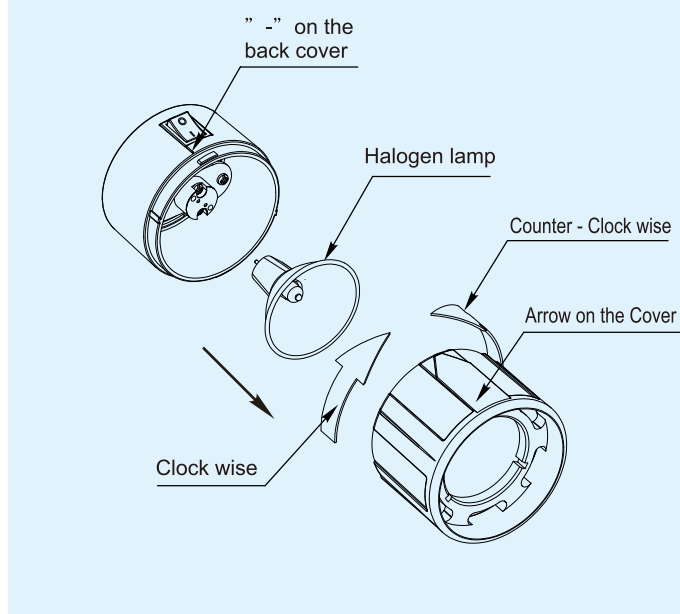
MODEL DESIGNATION



Item	Signal	Description
1.Type	THL07	Ø70mm
2.Lamp	Space	Halogen Lamp
	L2	LED (110V-240VAC)
	L7	LED (12V-24VAC/DC)
3.Voltage	1	110VAC
	2	220VAC
	9	12VAC/DC
4.Length	T	Flexible conduit 460mm
	L	410mm+390mm (LED and Halogen Lamp 12V)
	M	410mm+115mm (LED and Halogen Lamp 12V)
	R	220mm+220mm
	S	-
5.Base	L	L Type base
	M	Magnetic base
	T	Triangle base (LED and Halogen Lamp 12V)
	S4	45*45mm (LED and Halogen Lamp 12V)
	S6	60*60mm (LED and Halogen Lamp 12V)

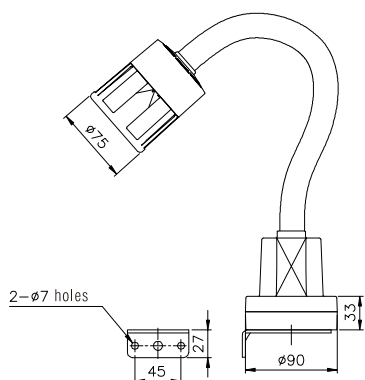
HALOGEN LAMP

Replacement :
 Step1. To turn counter - clockwise to release the cover.
 Step2. Replace Halogen lamp.
 Step3. To Align the "Arrow on the cover" and the "-" on the back cover" then turn clockwise to fit the cover.

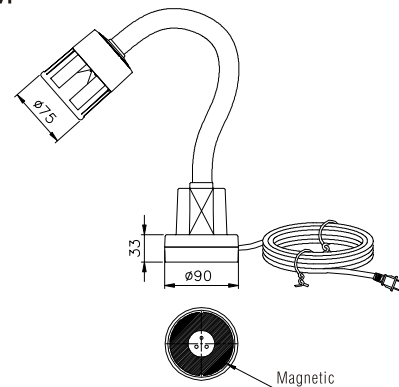


DIMENSIONS

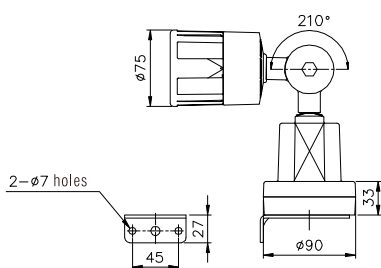
THL07-(L2/L7)1TL



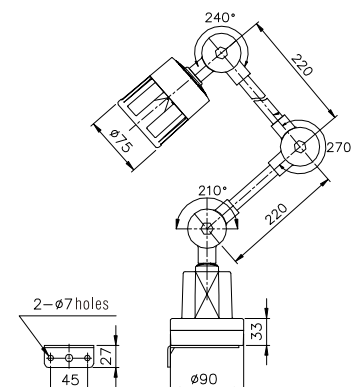
THL07-(L2/L7)1TM



THL07-(L2/L7)1SL

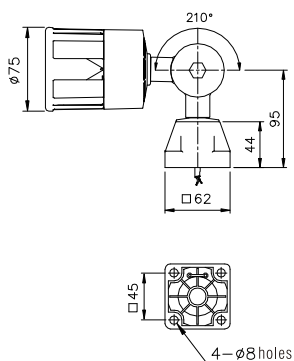


THL07-(L2/L7)1RL

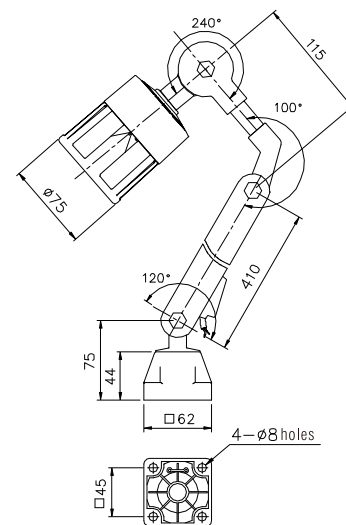


■ DIMENSIONS

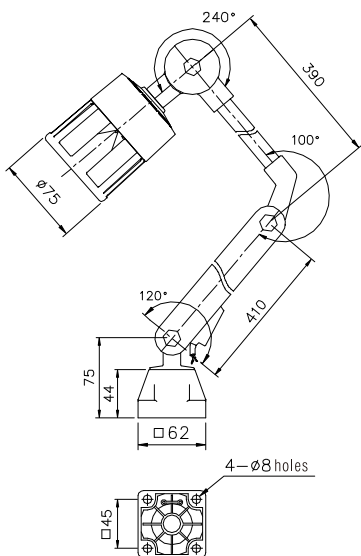
THL07-9SS4(S6,T)



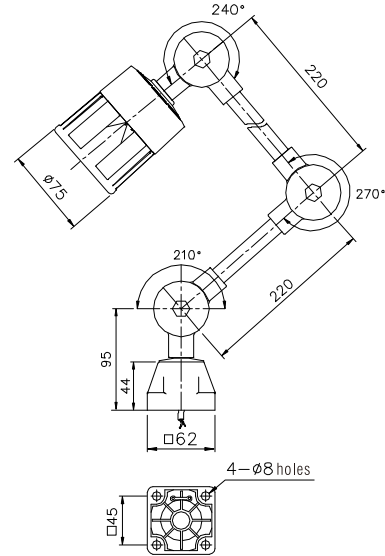
THL07-9MS4(S6,T)



THL07-9LS4(S6,T)

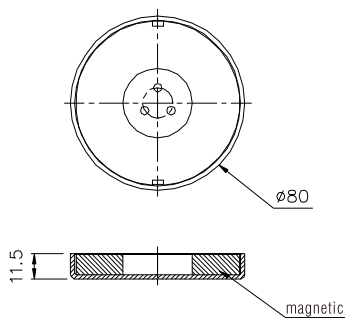


THL07-9RS4(S6,T)



■ BASE DIMENSION

MAGNETIC BASE
(THL07-M)



L TYPE
(THL07-L)

