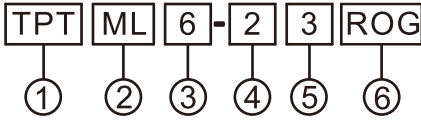


tend SINGLE LAYER MULTI-COLOR WARNING LIGHT TPTM/R

FEATURES

- The main features of this series of warning lights are single layer with multi-color with four colors (Red, Orange, Green and Blue) to choose from and adjustable height
- Rotating speed of 180 rev/min; Flashing speed of 60 times/min
- (When audible sound is intermittent,) The Frequency of the audible sound is 180 times/min if connected to the Rotating Cable; the Frequency of the audible sound is 60 times/min with volume of 80dB/1m min if connected to the Flashing Light.
- Available in both UL and non-UL type.

MODEL DESIGNATIONS

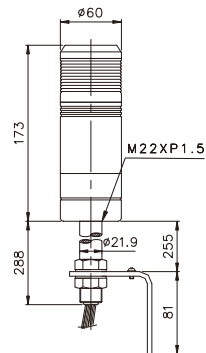


Item	Code	Description
1.Mounting Method	TPT	Pole Mount
	TPW	Tray Mount
	TPF	Foldable Type (Round Tray)
	TPFQ	Foldable Type (Square Tray)
	TPA	Side Hitch Type
	TPS	Pole and Tray Mount
2.Functions	ML	Continuous Light
	MF	Continuous Flashing Light
	MB	Audible Alarm Light
	MS	Continuous Flashing Light with Audible Sound

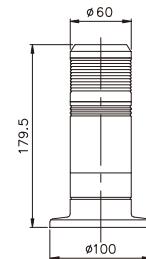
Item	Code	Description
3.Lens Diameter	6	Ø60mm
4.Voltage	1	110VAC
	2	220VAC
	7	24VAC/DC
	9	12VAC/DC
5.No of Lamp Color	2~5	2~5
6.Color	R	Red
	O	Orange
	G	Green
	B	Blue
	W	White

APPEARANCE AND DIMENSIONS

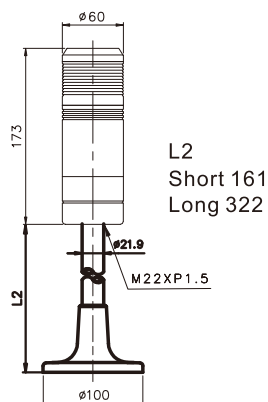
TPTM/TPTR



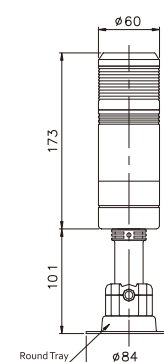
TPWM/TPWR



TPSM/TPSR

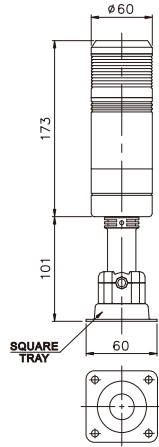


TPFM/TPFR

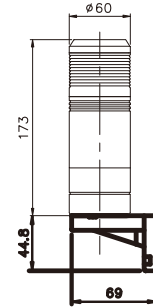


APPEARANCE AND DIMENSIONS

TPFQM/TPFQR

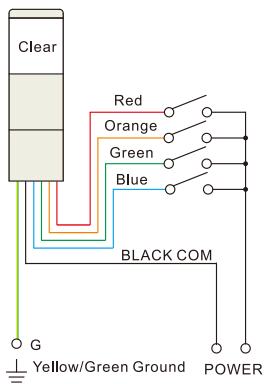


TPAM/TPAR

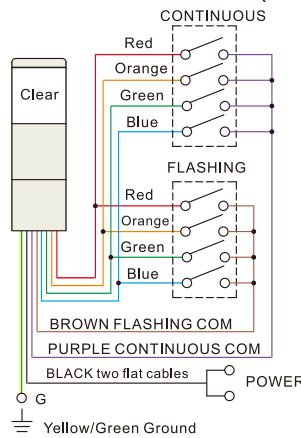


WIRING DIAGRAM (DC Voltage, Polarity labeled on power cables)

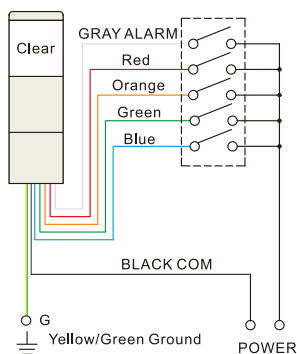
CONTINUOUS LIGHT (ML)



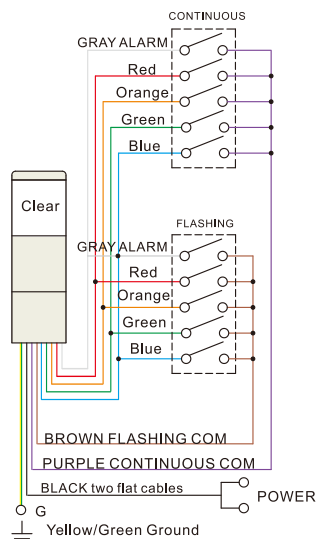
CONTINUOUS OF FLASHING LIGHT (MF)



Audible Alarm Light (MB)



Continuous of Flashing Light with Audible Alarm (MS)



Note: The Red, Orange, Green, Blue color cables and the Gray Alarm cable can only be connected to one function cable.