

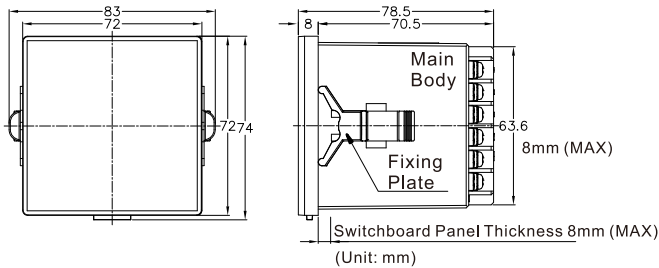
MODEL:T7D-C

CAUTION BEFORE USE

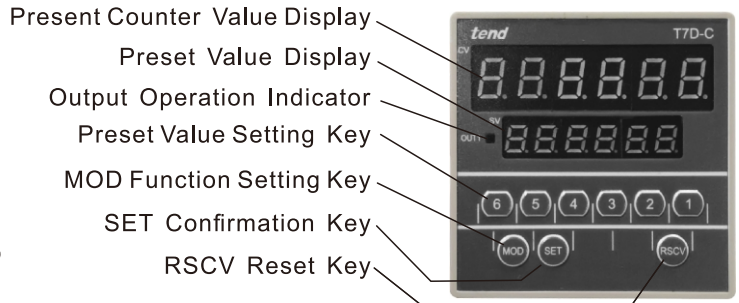
(Hold the MOD key then switch it on, the S/W version date can be displayed.)

1. Check and ensure if electricity 110VAC or 220 VAC power is connected to the correct terminals.
2. Do not run Counter Signal Input line or Reset Signal Input line parallel with AC power wires for drive power, hi-voltage power, main stream current, or twisting together with the latter of along through shielding conduit. When unavoidable be sure to run only insulation coat protected lines.
3. Do not use it under direct sunlight, where there is sharp change in temperature, corrosive gas, moisture and dust, spill of oil, water or chemical, or where there is heavy vibration or impacts.

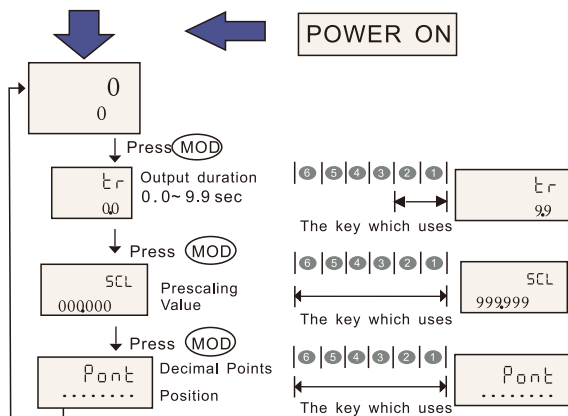
APPEARANCE AND DIMENSIONS



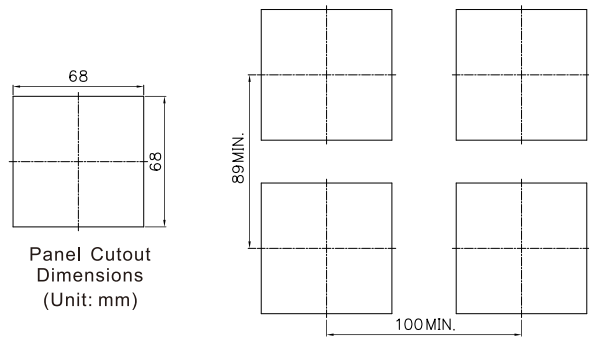
PANEL DESCRIPTIONS



MOD Function Key Setting Instructions



PANEL CUTOUTS



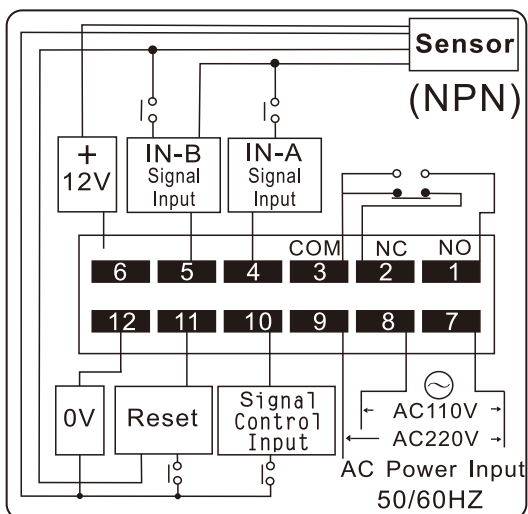
PRESET SETTING

Use ⑥⑤④③②① key to adjust the sv value, from 000000 to 999999

Note: Display will return to run Mode in 3 seconds when no key is triggered or when the SET key is pressed.

Display will return to run Mode in 3 seconds when no key is triggered or when SET key is pressed.

TERMINAL ARRANGEMENT



SPECIFICATIONS

Power Supply	AC110/220V 50/60HZ <4VA
Input Method	H (Logic): 4.5~30Vdc, L (Logic): 0~2Vdc, (Impedence: 4.7KΩ)
Counting Speed	Contact Input: 30cps (max), Contactless Input: 3000cps (max)
Power Source for Sensor	12Vdc (±10%)/70mA MAX
Reset Input	MIN Input Signal: 50mS
Control Output	NO/NC 10A/5A 120Vac (240Vac MAX)
Output Time	0~9.9 sec
Memory	EEPROM (Overwrites: 100,000 times, data store for more than 10 years)
Working Temperature	-10°C~55°C (No Ice or Condensation)
Ambient Temperature	-25°C~65°C (No Ice or Condensation)
Ambient Humidity	45%~85%RH

■ BASIC FUNCTION SETTINGS



1	MOD Control	Description
	Enabled	Function Selection Enabled
	Disabled	Function Selection Disabled

234	Output Function	Description
	N mode	Manual Reset (CV resets externally)
	R mode	Auto Reset (CV resets when Output finishes)
	C mode	Auto Reset (CV resets when Output starts)
	F mode	Manual Reset (CV resets externally)

56	Counter Mode	Description
	Single Add Up Mode	IN-A Input Addition, IN-B No Input
	Addition Mode	IN-A and IN-B can be inputted together or separate
	Subtraction Mode	IN-A Input Addition, IN-B Input Subtraction
	Up/Down Mode	IN-A and IN-B Input Phase Shift of 90 degree, addition or subtraction can be automatically determined

78	Counter Speed	Description
	30CPS	Used for Contact Input (Micro Switch, Relay)
	1000CPS	Used for Contactless Input
	3000CPS	Used for Contactless Input

Note: CPS = counts per second

■ Timing Charts (Counter Operation and R, N, C auto or manual reset mode)

